

UniDrive[®] Motor 24 VDC 200 Watt 110535

The UniDrive[®] motor has just one moving part, operates almost silently and gives you unprecedented flexibility in manufacturing lead time.

The new UniDrive[®] motor is a solution offering greater reliability and design freedom. The system is remarkably simple and cost effective. It consists of an externally-mounted direct drive brushless DC motor and an electronic speed control.

Extreme Reliability: 150,000 Hour Bearing Life

The new UniDrive[®] system uses an extremely reliable 4 $\frac{5}{8}$ -inch diameter brushless DC servo-motor with an electronically-controlled operating speed of just 560 rpm. It produces high torque at low speed without using failure-prone gear reducers, linkages or drive chains. The net result of the low speed combined with the robust bearings is a 155,000 hour calculated bearing life (L_{10} ANSI/AFBMA Std 9-1978.)

Almost Silent Operation

The UniDrive[®] motor is almost silent in operation at full power. There are no gears, drive chains or other moving parts to generate noise.

Plug and Play Simplicity

The UniDrive[®] motor controller is a rugged, reliable device that gives you a simple plug and play connection. You control your manufacturing lead-time.

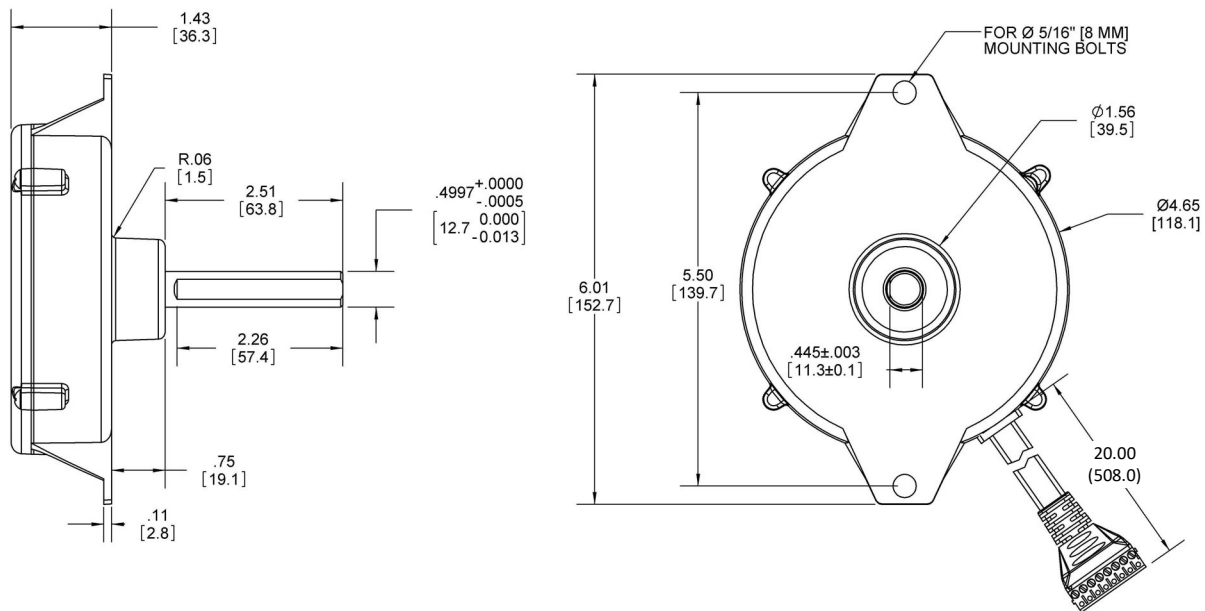
Simple to Service

If a motor ever fails, it is easy to replace because it's mounted externally. Only one part number needs to be stocked for spares and repairs.

Features

- 24V brushless DC motor
- 4.63" \varnothing x 1.5"L
- Shaft 0.5" \varnothing x 2.5"L with flat
- 20" leads with connector
- 8-200W input
- 112-560 RPM
- 15 in-lbf continuous torque

Specifications



US Patent 7,537,107

Motor Series	200W24			
Description	US Units		Metric Units	
Input Power				
Voltage (rated)	24	VDC	24	VDC
Amperage (rated)	8.0	Amps	8.0	Amps
Amperage (no-load)	0.32	Amps	0.32	Amps
Watts (rated)	192	Watts	192	Watts
Output				
Speed (rated)	560	RPM	58.6	r/s
Speed (minimum)	112	RPM	11.7	r/s
Torque (continuous)	15	In·lbf	1.69	N·m
Torque (starting)	42	In·lbf	4.75	N·m
Motor Constants				
K_E (Back EMF)	33.5	V/kRPM	0.32	V/r/s
K_T (Torque/Amp)	45.3	In·oz/A	0.32	N·m/A
R_T (Terminal Resistance)	0.43	Ohms	0.43	Ohms

UniDrive® is a registered trademark of Milwaukee Electronics Corporation or its subsidiaries.

Copyright © 2012 Automation Controls Group. All Rights Reserved.

For more information, contact:

Sales@AutomationControlsGroup.com

Telephone: (619) 677-6530

**Automation
ControlsGroup**
Simplicity in Motion