

Drip Proof UniDrive[®] Motor 24VDC 100Watt 110236

The UniDrive[®] motor has just one moving part, operates almost silently and gives you unprecedented flexibility in manufacturing lead time.

The new UniDrive[®] motor is a solution offering greater reliability and design freedom. The system is remarkably simple and cost effective. It consists of an externally-mounted direct drive brushless DC motor and an electronic speed control.

Extreme Reliability: 300,000 Hour Bearing Life

The new UniDrive[®] system uses an extremely reliable 4 $\frac{5}{8}$ -inch diameter brushless DC servo-motor with an electronically-controlled operating speed of just 280 rpm. It produces high torque at low speed without using gear reducers, linkages or drive chains. The net result of the low speed combined with the robust bearings is a 310,000 hour calculated bearing life (L₁₀ ANSI/AFBMA Std 9-1978.)

Almost Silent Operation

The UniDrive[®] motor is almost silent in operation at full power. There are no gears, chains or other moving parts to generate noise.

Plug and Play Simplicity

The UniDrive[®] motor controller is a rugged, reliable device that gives you a simple plug and play connection. You control your manufacturing lead-time.

Simple to Service

If a motor ever fails, it is easy to replace because it's mounted externally. Only one part number needs to be stocked for spares and repairs.

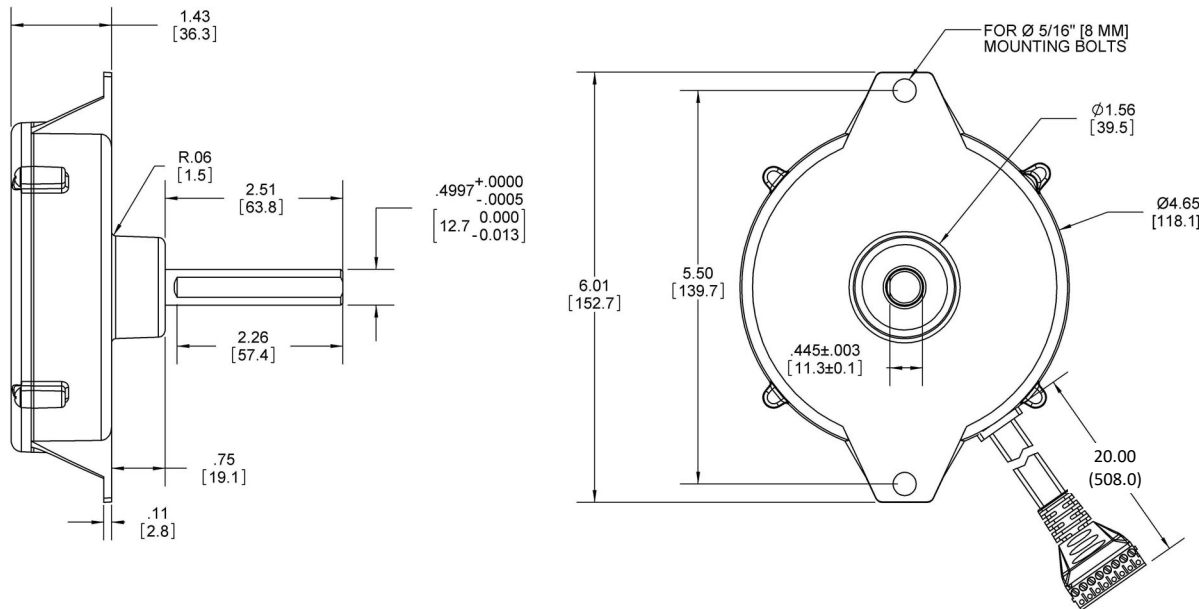
Drip Proof Enclosure

For use in wet (not high pressure wash-down) environments. Includes 303 stainless steel shaft, sealed front bearing and sealant applied to motor seams resulting in an IP 52 enclosure. Associated control electronics will require suitable enclosure by the installer.

Features

- 24V brushless DC motor
- 4.63" Ø x 1.5"L
- 303 ASTM SS shaft 0.5"Ø x 2.5"L with flat
- Sealed front bearing
- Sealant at motor casting seams
- 20" leads with connector
- IP 52 drip proof enclosure
- 4-100W input
- 56-280 RPM
- 15 in-lbf continuous torque

Specifications



US Patent 7,537,107

Motor Series	100W24			
Description	US Units		Metric Units	
Input Power				
Voltage (rated)	24	VDC	24	VDC
Amperage (rated)	4	Amps	4	Amps
Amperage (no-load)	0.17	Amps	0.17	Amps
Watts (rated)	96	Watts	96	Watts
Output				
Speed (rated)	280	RPM	29.3	r/s
Speed (minimum)	56	RPM	5.9	r/s
Torque (continuous)	15	In·lbf	1.69	N·m
Torque (starting)	42	In·lbf	4.75	N·m
Motor Constants				
K_E (Back EMF)	67.0	V/kRPM	0.64	V/r/s
K_T (Torque/Amp)	90.6	In·oz/A	0.64	N·m/A
R_T (Terminal Resistance)	1.7	Ohms	1.7	Ohms

UniDrive® is a registered trademark of Milwaukee Electronics Corporation or its subsidiaries.

Copyright © 2012 Automation Controls Group. All Rights Reserved.

For more information, contact:

Sales@AutomationControlsGroup.com

Telephone: (619) 677-6530

**Automation
ControlsGroup**
Simplicity in Motion